

## High-intensity Type A Aviation Obstruction Light AH-HI/O



**White flashing obstruction light for reliable day and night time marking of tall structures that present a hazard to aviation. Incorporates the benefits of advanced LED, optical and system control technologies to meet the most demanding applications**

### Advantages

1. Strong efficiency transmission.
2. International-advanced Big power and Precision integrated chip LED with high brightness and service life of light source reaching 100000hours.
3. The circuit of the light has surge protection whose lightning proof ability is In 7.5KA/5 times, IMAX 15KA so that the light is suitable to harsh environment.
4. Strong corrosion resistance, Shock and Vibrations protection and UV protection.
5. Baked advance aluminum alloy Material.
6. Resistant to heavy rain or storms.
7. Automatically changing light intensity, day/twilight/night intensity operating.
8. More than 91% utilizing rate of illuminating efficiency.
9. Perfect protection function in control circuit. Light will stop working automatically under condition of light short circuit, over temperature and working exceptional. After fault is solved, control circuit will automatically resume to work normally.
10. Free maintenance and aluminum alloy Material.
11. Five year warranty
12. low power consumption and low cost of ownership.

### Function

The products are one Single light with photocell, so it can work all day and automatically change light intensity according to ambient brightness by photocell. When ambient brightness is less than 50cd/m<sup>2</sup>, light intensity is 2,000cd(±25%); When ambient brightness is between 50cd/m<sup>2</sup> and 500cd/m<sup>2</sup>, light intensity is 20,000cd(±25%) ; When ambient brightness is more than 500cd/m<sup>2</sup>, light intensity is 200,000cd(±25%). All control signal wire of light is paralleled to make several lights flash synchronously.

### Application



### Scope of Application

This product is mainly used on the top of Television transmitting tower, High-rise building, High chimney, cable stayed bridge, communications Tower, Cooling tower, etc which height is over 150meter so that it can play a warning role in potentially hazardous obstructions to air traffic flashing white safety light.



## ANHANG TECHNOLOGY

Add: Floor 4, Building 1, Bangtai Industrial Zone, Jixiang Garden, Bantian Street, Longgang District, Shenzhen, Guangdong, China

Tel/Fax : +86-755-89589401  
Mob : +86-13260726316 (Alice)  
E-mail : sale@ahicao.com  
<http://www.ahicao.com>  
<http://www.annhung.com>



# High-intensity Type A Aviation Obstruction Light AH-HI/O

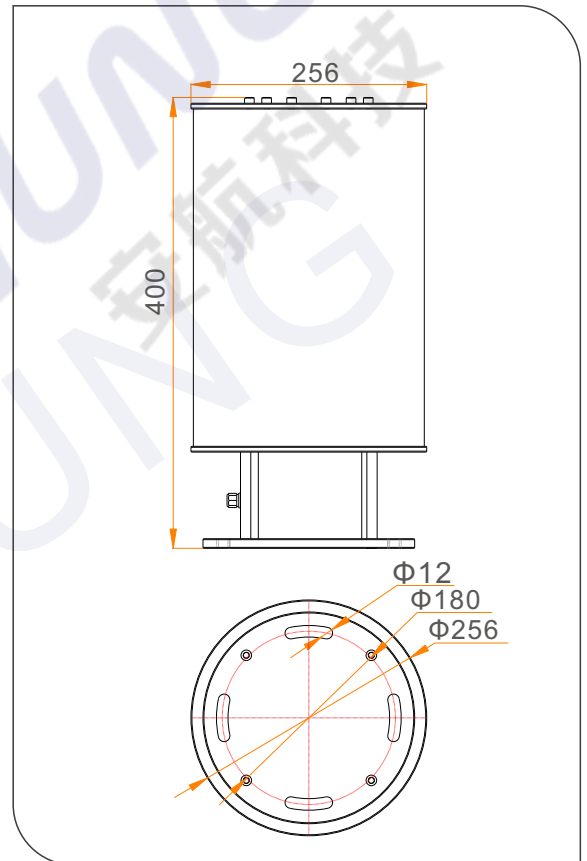
## Main Parameter

1. Mode: AH-HI/O
2. Light intensity:
  - 2000cd(Night)
  - 20,000cd(Twilight)
  - 200,000cd(Daytime)
3. Flash rate: 40-60times/minute
4. Light source: LED
5. Service life of light source: 100,000hours
6. Operating voltage: AC220V (option voltage, eg. AC120V, AC110V, DC48V)
7. Power consumption: 150W
8. Overall size(mm): 256 by 256 by 400
9. Installation size(mm): 180 by 180 by  $\Phi 12$
10. Vertical degree:  $3^{\circ}\sim 7^{\circ}$
11. Horizontal degree:  $360^{\circ}$
12. Material:
  - Housing: High borosilicate glass
  - Base: die casting aluminum
13. Weight: 23Kg
14. Emitting color: white
15. Ambient temperature:  $-55^{\circ}\text{C}\sim +70^{\circ}\text{C}$
16. Wind load: 80m/s
17. Protection standard: IP67

## Compliance

- High-intensity Type A FAA L-856
- High-intensity Type A Aviation Obstruction Light, ICAO Annex 14 Volume 1, 'Aerodrome Design and Operations' Forth edition July 2004, table 6.3

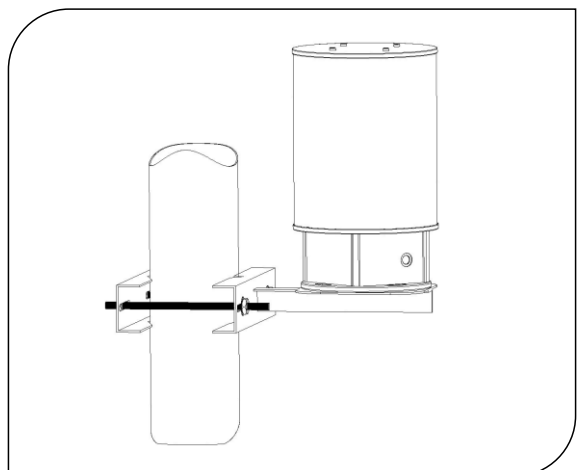
## Dimension Drawing



## Production Flow Chart



## Installing diagram



## ANHANG TECHNOLOGY

Add: Floor 4, Building 1, Bangtai Industrial Zone,  
Jixiang Garden, Bantian Street, Longgang  
District, Shenzhen, Guangdong, China

Tel/Fax : +86-755-89589401  
Mob : +86-13260726316 (Alice)  
E-mail : sale@ahicao.com  
<http://www.ahicao.com>  
<http://www.annhung.com>

